

E-line Lightning Arrestor

Manual of Operation



(ALA01-A)

System Description	2
Connectors	3
Required Equipment	4
Installation	5
Technical Support	6

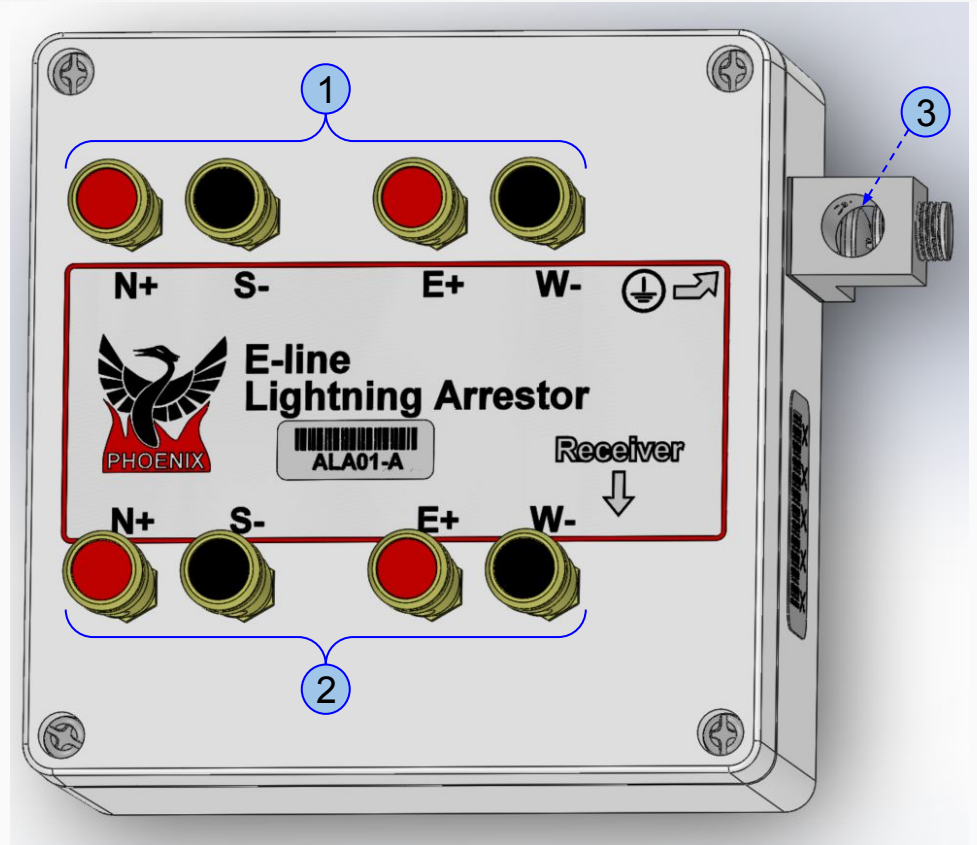
System Description

The E-line Lightning Arrestor (*ALA01-A*) provides extra protection for the receiver from electrical surges. This lightning arrestor is designed to limit the voltages and currents that could reach the electrical inputs of the receiver to a safe level, reducing the chance of damage to the receiver.



Connectors

1. Four Electrode binding post connectors (*North and South*) and (*East and West*)
2. Four Receiver binding post connectors (*North and South*) and (*East and West*)
3. Ground lug



Required Equipment

MT Receiver (x1) *(to be protected)* and it's accessories, including:

Electric sensor electrodes (x4),

Ground electrode (x1)

Hook-up wire *(as required)*

E-line lightning arrestor (x1)

Hook-up wire *(as required)*

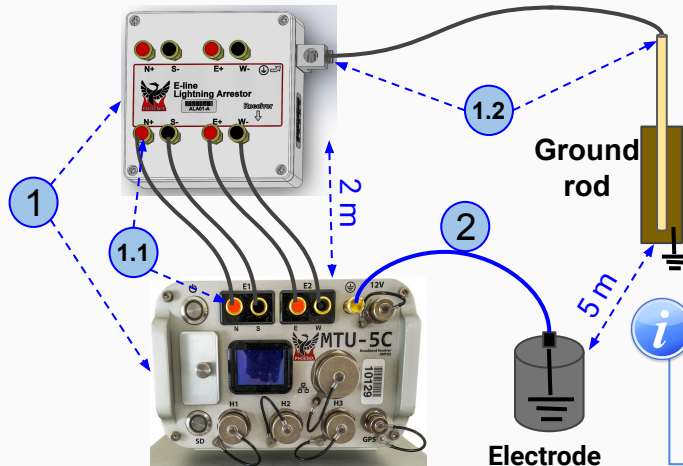
Ground Rod and hook-up wire *(provided by the user)*

* Use a large gauge wire to connect the ground rod to the ground lug of the E-line lightning arrestor
(14 AWG - 1/0 wire gauges are supported)

Installation

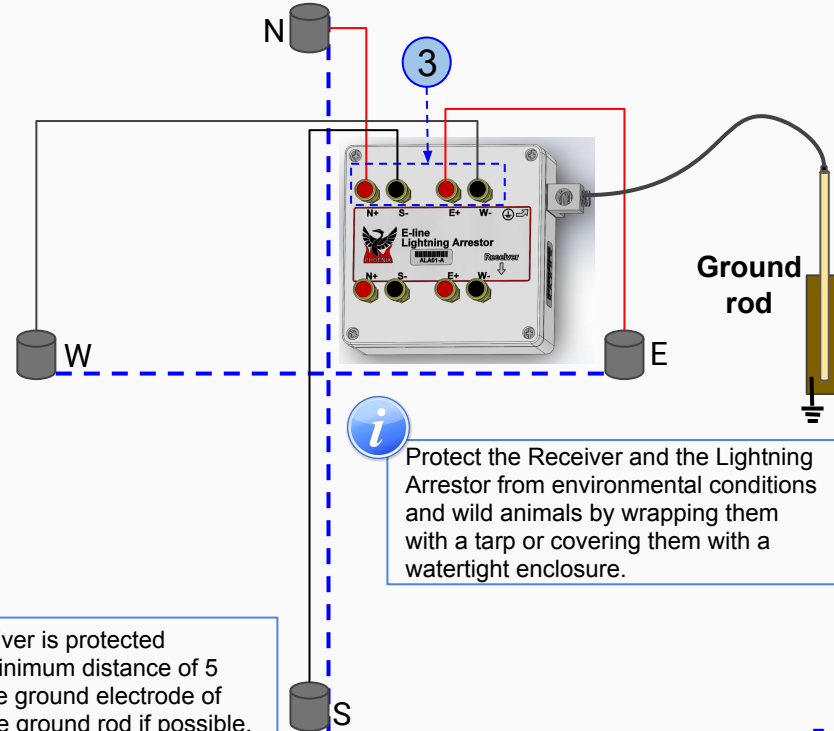
1. Connect the receiver to the Lightning Arrestor
 - 1.1. Connect the lightning arrester (ALA01-A) to the receiver, connect matching (North/South) and (East/West) binding post connectors with hook-up wire.
 - 1.2. Connect the Ground rod to the Ground lug of the lightning arrester (ALA01-A)
2. Connect the ground electrode to the receiver

**The Lightning Arrester must be installed at least 2 meters away from the receiver*



To ensure the receiver is protected correctly, keep a minimum distance of 5 meters between the ground electrode of the receiver and the ground rod if possible.

3. Connect the lightning arrester (ALA01-A) to the Electric sensor electrodes.



Protect the Receiver and the Lightning Arrester from environmental conditions and wild animals by wrapping them with a tarp or covering them with a watertight enclosure.



Please check out the [FAQs](#)

<https://phoenixgeophysics.freshdesk.com/>

Or email us at: support@phoenix-geophysics.com